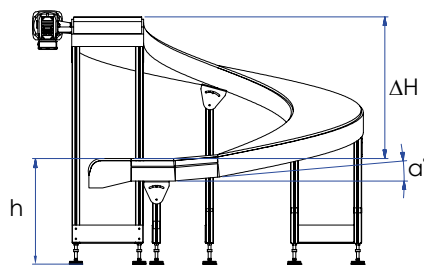
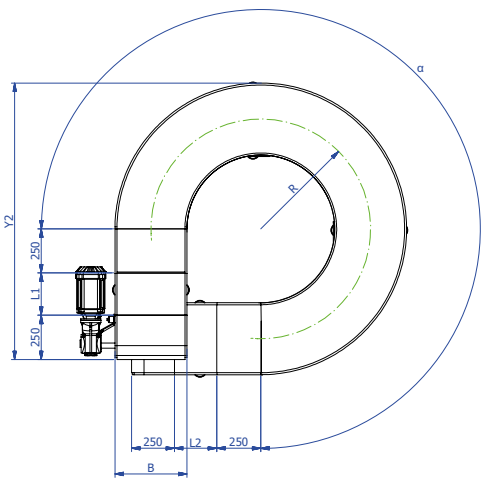
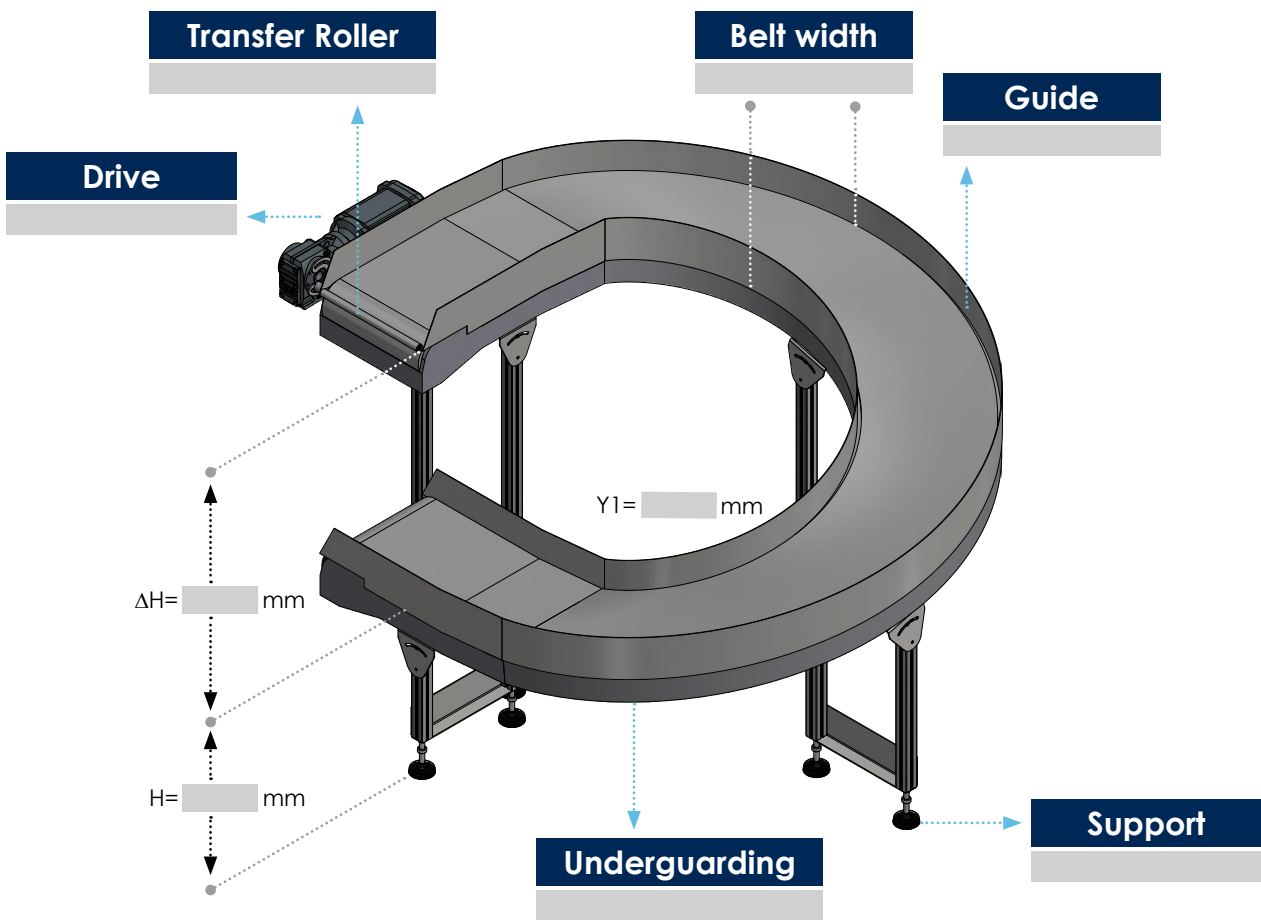


# PDC HELIX



|                  | General             | AFa300                        | AFa400                        | AFa600                        |
|------------------|---------------------|-------------------------------|-------------------------------|-------------------------------|
| Belt width B     |                     | 300                           | 400                           | 600                           |
| Central radius R |                     | 650                           | 650                           | 800                           |
| Frame width      |                     | 326                           | 426                           | 626                           |
| $\Delta H$       |                     | $300 < \Delta H < 1000$       | $300 < \Delta H < 1000$       | $300 < \Delta H < 1300$       |
| $\alpha$ (in°)   |                     | $5^\circ < \alpha < 15^\circ$ | $5^\circ < \alpha < 15^\circ$ | $5^\circ < \alpha < 15^\circ$ |
| L1 & L2          | $0 \wedge \geq 250$ |                               |                               |                               |
| h, top of belt   | $350 < h < 1500$    |                               |                               |                               |

All dimensions in mm